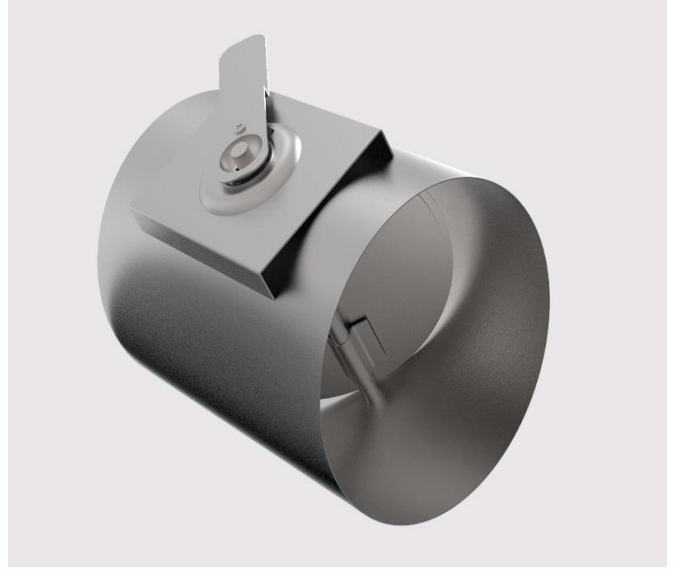
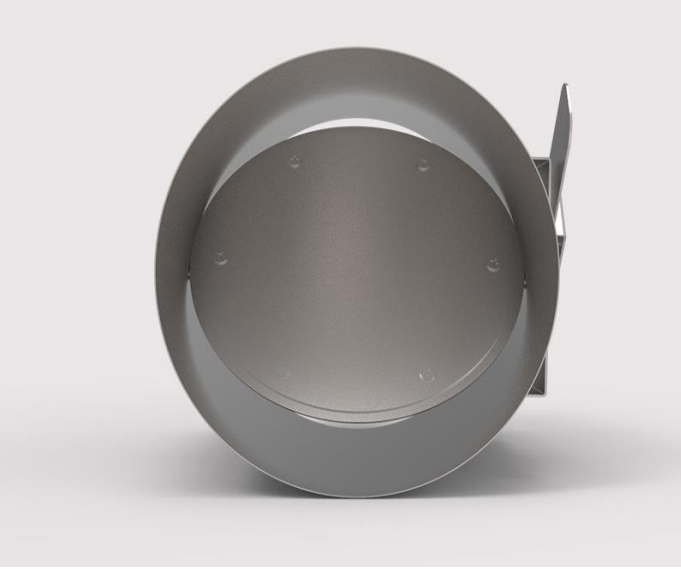


VOLUME DAMPERS - CKH -01A



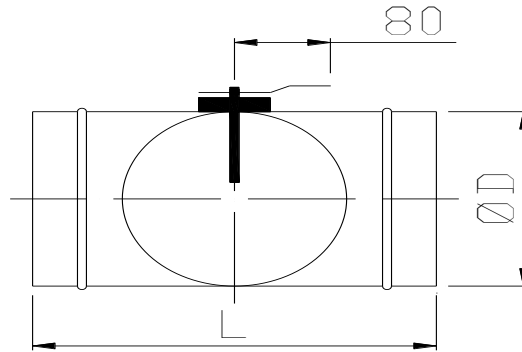
AREAS OF USE AND FEATURES: It is used to control the amount of air sucked or blown in Hvac systems and the pressure balance in the ducts. Wing angles are easy to adjust. If desired, it can be locked. Optionally, the engine can be installed and the desired flow rates can be provided automatically.

MATERIAL: Aluminum profile manufactured by extrusion method

SURFACE COATING: The product can be manufactured without anodized coating or paint.

ACCESSORIES: Motor

CKH-01A CIRCULAR AIR DAMPER



CKH-01A STANDARD DIMENSIONS

SIZE (mm)	100	110	120	130	140	150	160	180	200	225	250
ØD (mm)	102	112	120	127	140	152	160	180	203	229	254
L (mm)	150	160	170	180	190	200	210	230	250	275	300

SELECTION DIAGRAMS

CKH-01A PRESSURE AND SOUND LOSSES FOR TYPE

AIR VELOCITIES			0,5	1	2	3	4	6	8	10	20	
WING ANGLES	0°	Static Pressure	Pa	-	-	-	2,72	8	9,25	9,75	26,72	78,42
			mmSS	-	-	-	0,29	0,8	0,93	0,99	2,72	7,99
		Sound Value	dBA	-	-	13	20	27	40	48	55	74
	15°	Static Pressure	Pa	-	-	1,46	3,59	5,64	9,05	22,39	40,47	208,44
			mmSS	-	-	0,15	0,37	0,57	0,92	2,28	4,13	21,25
		Sound Value	dBA	-	-	16	23	31	42	51	57	81
	30°	Static Pressure	Pa	-	0,53	4,25	6,96	9,62	25,21	42,24	80,08	599,18
			mmSS	-	0,05	0,43	0,71	0,98	2,57	4,31	8,16	61,08
		Sound Value	dBA	-	7	22	30	39	49	56	66	88
	45°	Static Pressure	Pa	0,58	4,06	9	20,3	33,7	52,68	114,18	418,84	2846,2
			mmSS	0,06	0,41	0,92	2,07	3,44	5,37	11,64	42,7	290,13
		Sound Value	dBA	-	16	30	40	50	56	65	79	-
	60°	Static Pressure	Pa	6,53	17,5	44,34	77,92	196,65	485,6	1438,4	3567,8	-
			mmSS	0,67	1,78	4,52	7,94	20,05	-	146,63	-	-
		Sound Value	DbA	18	33	50	56	63	77	91	-	-
	75°	Static Pressure	Pa	59,08	283,93	1221,6	2976	4839,1	-	-	-	-
			mmSS	6,02	28,94	124,53	303,36	493,28	-	-	-	-
		Sound Value	dBA	53	65	89	-	-	-	-	-	-